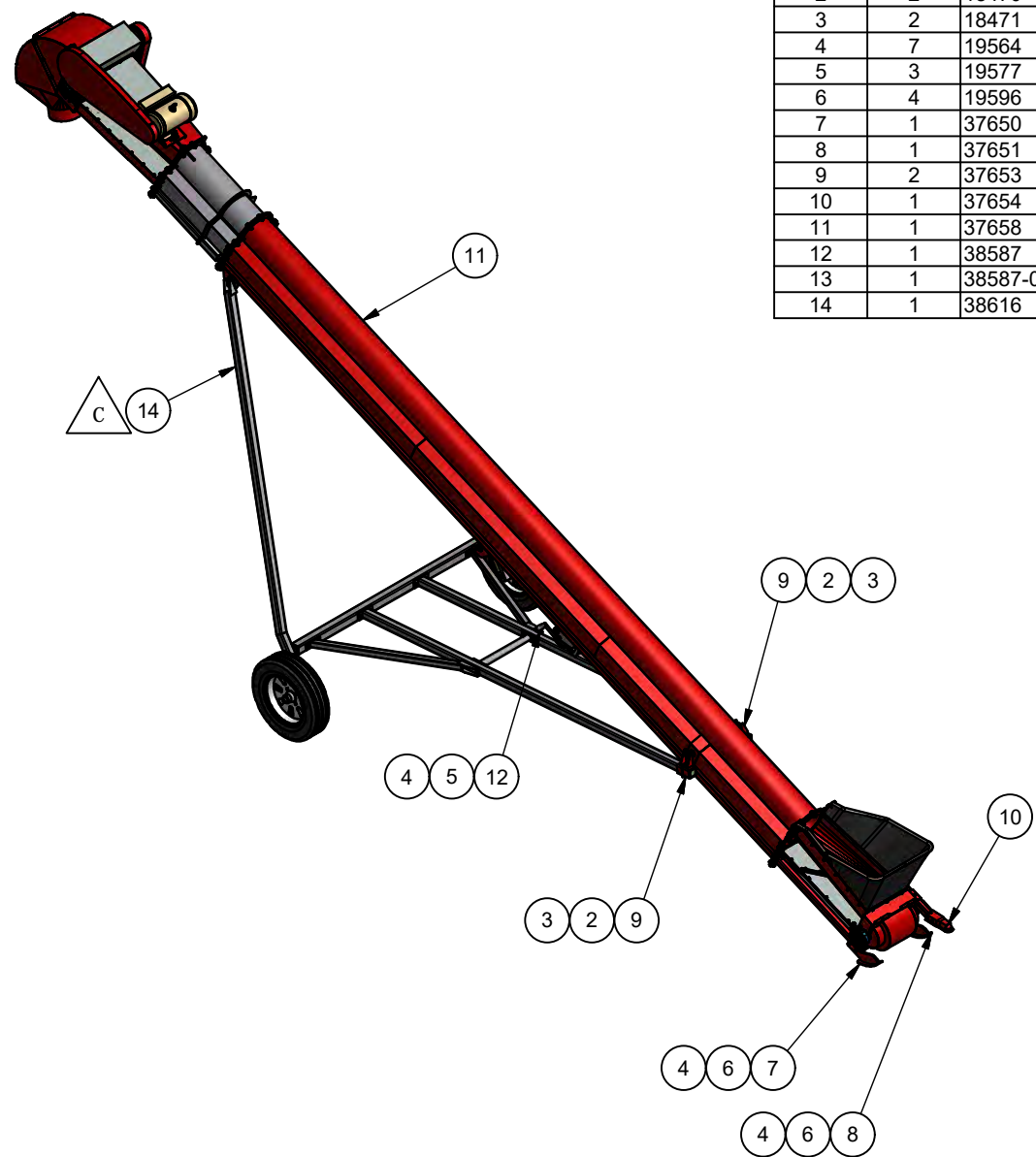


ITEM	QTY	PART #	DESCRIPTION
1	2	13000002433	CABLE CLAMP 5/16IN
2	2	18470	PIN, CLEVIS, LOCKING, 1/2 X 3.5
3	2	18471	PIN, CLEVIS, 0.375 X 1.5 Steel, Mild
4	7	19564	NUT, HEX, FLANGED, 3/8-16 UNC
5	3	19577	BOLT, HEX, FLANGED, 3/8-16 UNC X 0.75
6	4	19596	BOLT, HEX, 3/8-16 UNC X4
7	1	37650	SUPPORT BOOT LEFT RED
8	1	37651	SUPPORT BOOT RIGHT RED
9	2	37653	FRAME, ARTICULATING MOUNT RED
10	1	37654	HITCH TUBE ASSM RED
11	1	37658	ASSEMBLY 30FT CONVEYOR A-FRAME RED
12	1	38587	WINCH CRANK ASSM
13	1	38587-01	WINCH CABLE 30FT CONVEYOR
14	1	38616	30FT A- FRAME ASSEMBLY



TOLERANCES UNLESS OTHERWISE SPECIFIED	
.X = +/- .75mm	MATERIAL GUIDE +/- .005mm
.XX = +/- .25mm	HOLE Ø .X +/- .125mm
.XXX = +/- .125mm	HOLE Ø .XX +/- .0125mm
.XXXX = +/- .0125mm	ANGLES +/- .1°

MERIDIAN
MANUFACTURING GROUP

www.meridianmfg.com

DRAWN BY:	DRAWN DATE:	SHEET SIZE:
Juan	7/18/2012	A - SIZE
DETAILED BY:	DETAILED DATE:	SCALE: REV:
JPB	7/18/2012	1:55 C

THIS DRAWING IS THE EXCLUSIVE PROPERTY OF MERIDIAN MANUFACTURING GROUP AND MAY NOT BE DUPLICATED BY ANY MEANS WITHOUT THE SPECIFIC PERMISSION FROM AN AUTHORITY OF MERIDIAN MANUFACTURING GROUP

PROJECT NAME:	MATERIAL:
SEED SITE CONVEYORS	PART WEIGHT: 1932.85 lbmass
PART DESCRIPTION:	PART/DRAWING NUMBER:
30FT A-FRAME CONVEYOR ASSY RED	47333

REVISION HISTORY			
REV	DESCRIPTION	DATE	DESIGNER
A	RELEASED	18-Jul-2012	JPB
B	ADDED WINCH CABLE AND CLAMPS	20-Mar-2013	SJP
C	REVISED ITEM 14	21-Mar-2013	ACC